



ETA-Danmark A/S
Göteborg Plads 1
DK-2150 Nordhavn
Tel. +45 72 24 59 00
Internet www.etadanmark.dk

Authorised and notified
according to Article 29 of the
Regulation (EU)
No 305/2011 of the European
Parliament and of the Council
of 9 March 2011



European Technical Assessment ETA-21/0223 of 2021/01/15

I General Part

Technical Assessment Body issuing the ETA and designated according to Article 29 of the Regulation (EU) No 305/2011: ETA-Danmark A/S

Trade name of the construction product:

Firebreak 33 / Sealfire W200

Product family to which the above construction product belongs:

Fire Stopping and Sealing Product:
• Penetration Seals

Manufacturer:

Neutron Fire Technologies Limited
Shire Hall
Quay Street
Lostwithiel
Cornwall
PL22 0BS
www.neutronfire.com

Manufacturing plant:

A/001

This European Technical Assessment contains:

11 pages including 1 annex which form an integral part of the document

This European Technical Assessment is issued in accordance with Regulation (EU) No 305/2011, on the basis of:

EAD 350454-00-1104, September 2017

This version replaces:

-

Translations of this European Technical Assessment in other languages shall fully correspond to the original issued document and should be identified as such.

Communication of this European Technical Assessment, including transmission by electronic means, shall be in full. However, partial reproduction may be made, with the written consent of the issuing Technical Assessment Body. Any partial reproduction has to be identified as such.

Table of Contents

I.	SPECIFIC PARTS OF THE EUROPEAN TECHNICAL ASSESSMENT	4
1	Technical description of the product	4
2	Specification of the intended uses of the product in accordance with the applicable European Assessment Document (Hereinafter EAD): ETAG 026-2.....	5
3	Performance of the product and references to the methods used for its assessment	6
4	ASSESSMENT AND VERIFICATION OF CONSTANCY OF PERFORMANCE (HEREINAFTER AVCP) SYSTEM APPLIED, WITH REFERENCE TO ITS LEGAL BASE	7
5	Technical details necessary for the implementation of the AVCP system, as provided for in the applicable EAD	7
ANNEX A – Resistance to Fire Classification – Firebreak 33 / Sealfire W200		8
A.1	Rigid wall constructions with wall thickness of minimum 150 mm.....	8
A.1.1	Penetration seal with metal pipe including continued interrupted (CI) or minimum 500 mm long local interrupted (LI) combustible insulation.....	8
A.1.2	Penetration seal with uninsulated metal pipe	9
A.1.3	Penetration seal with cables.....	10
A.2	Rigid floor constructions with floor thickness of minimum 150 mm	11
A.2.1	Penetration seal with cables	11

I. SPECIFIC PARTS OF THE EUROPEAN TECHNICAL ASSESSMENT

1 Technical description of the product

- 1) Firebreak 33 / Sealfire W200 (2 references for the same product) is a sealant used to form a penetration seal around metallic pipes and electrical cables to reinstate the fire resistance performance of wall and floor constructions, where they have been provided with apertures for the penetration of services.
- 2) The Firebreak 33 / Sealfire W200 is supplied in liquid form contained within 310 ml cartridges, 600ml foils or in 5, 10, 15 or 19 litre tubs. The sealant is gunned or trowelled into the aperture in or between the separating element/elements and where appropriate around the service or services, to a specified depth utilising various backing materials.
- 3) Neutron Fire Technologies Limited has presented a declaration that the product and/or constituents of the product contains no substances which have been classified as dangerous according to Directive 67/548/EEC and Regulation (EC) No. 1272/2008 and listed in the 'indicative list on dangerous substances' of the EGDS – taking into account the installation conditions of the construction product and the release scenarios resulting from there.

In addition to the specific clauses relating to dangerous substances contained in this European Technical Assessment, there may be other requirements applicable to the products falling within its scope (e.g. transposed European legislation and national laws, regulations and administrative provisions). In order to meet the provisions of the Construction Products Regulation, these requirements need also to be complied with, when and where they apply.

- 4) The use category of Firebreak 33 / Sealfire W200 in relation to BWR 3 (Health, hygiene and environment) is IA1, S/W3.

2 Specification of the intended uses of the product in accordance with the applicable European Assessment Document (Hereinafter EAD): ETAG 026-2

Detailed information and data is given in Annex A.

- 1) The intended use of system Firebreak 33 / system Sealfire W200 is to reinstate the fire resistance performance of rigid wall constructions and rigid floor constructions where they are penetrated by various metal pipe services with and without combustible insulation and electrical cables.
- 2) The specific elements of construction that the system Firebreak 33 / Sealfire W200 may be used to provide a penetration seal in, are as follows:

Rigid walls:	The wall must have a minimum thickness of 150 mm and comprise concrete, aerated concrete or masonry, with a minimum density of 650 kg/m ³ .
Rigid floors:	The floor must have a minimum thickness of 150 mm and comprise aerated concrete or concrete with a minimum density of 650 kg/m ³ .

The supporting construction must be classified in accordance with EN 13501-2 for the required fire resistance period.

- 3) The system Firebreak 33 / system Sealfire W200 may be used to provide a penetration seal with specific single insulated metal pipes, uninsulated metal pipes and with specific electrical cables, single or in a bundle (for details see Annex A).
- 4) Apertures in the separating element shall be maximum 80 mm diameter. The annular space/gap around the services shall be infilled with stone wool insulation backing material and Firebreak 33 / Sealfire W200 sealant. Blank seals (without services) are not permitted.. Blank seals (without services) are not permitted. For full details, see Annex A.
- 5) Pipes shall be supported at maximum 350 mm away from both faces of the wall constructions and from the upper face of floor constructions.
- 6) The provisions made in this European Technical Assessment are based on an assumed working life of the Firebreak 33 / Sealfire W200 of 10 years, provided that the conditions laid down in sections manufacturer's instructions and datasheet for the packaging/transport/ storage/installation/use/ repair are met. The indications given on the working life cannot be interpreted as a guarantee given by the producer or the Technical Assessment Body but are to be regarded only as a means for choosing the right products in relation to the expected economically reasonable working life of the works.
- 7) Type X: Intended for use at conditions exposed to weathering and in the temperature range -20°C to 70°C. Also suitable for internal conditions.

3 Performance of the product and references to the methods used for its assessment

Product-type: Sealant		Intended use: Linear Joint & Gap Seal
	Basic Requirement	Performance
BWR 1 Mechanical resistance and stability		
	None	Not relevant
BWR 2 Safety in case of fire		
	Reaction to fire	No performance assessed
	Resistance to fire	Annex A
BWR 3 Hygiene, health and environment		
	Air permeability (material property)	No performance assessed
	Water permeability (material property)	No performance assessed
	Release of dangerous substances	Declaration of manufacturer
BWR 4 Safety in use		
	Mechanical resistance and stability	No performance assessed
	Resistance to impact/movement	No performance assessed
	Adhesion	No performance assessed
BWR 5 Protection against noise		
	Airborne sound insulation	No performance assessed
	Impact sound insulation	No performance assessed
BWR 6 Energy economy and heat retention		
	Thermal properties	No performance assessed
	Water vapour permeability	No performance assessed
General aspects relating to fitness for use		
	Durability and serviceability	X
BWR 7 Sustainable use of natural resources		
-	-	No performance assessed

4 ASSESSMENT AND VERIFICATION OF CONSTANCY OF PERFORMANCE (HEREINAFTER AVCP) SYSTEM APPLIED, WITH REFERENCE TO ITS LEGAL BASE

According to the decision 1999/454/EC – Commission Decision of date 22nd June 1999 on the procedure for attesting the conformity of construction products pursuant to Article 20(2) of Council Directive 89/106/EEC as regards fire stopping, fire sealing and fire protective products, published in the Official Journal of the European Union (OJEU) L178/52 of 14/07/1999, see <http://eur-lex.europa.eu/JOIndex.do> of the European Commission¹, as amended, the system(s) of assessment and verification of constancy of performance (see Annex V to Regulation (EU) No 305/2011) given in the following table(s) applies (apply).

Product(s)	Intended use(s)	Level(s) or class(es)	System(s)
Fire stopping and Fire Sealing Products	For fire compartmentation and/or fire protection or fire performance	Any	1

5 Technical details necessary for the implementation of the AVCP system, as provided for in the applicable EAD

Technical details necessary for the implementation of the AVCP system are laid down in the control plan deposited at ETA-Danmark A/S prior to CE marking

Issued in Copenhagen on 2021-01-15 by



Thomas Bruun

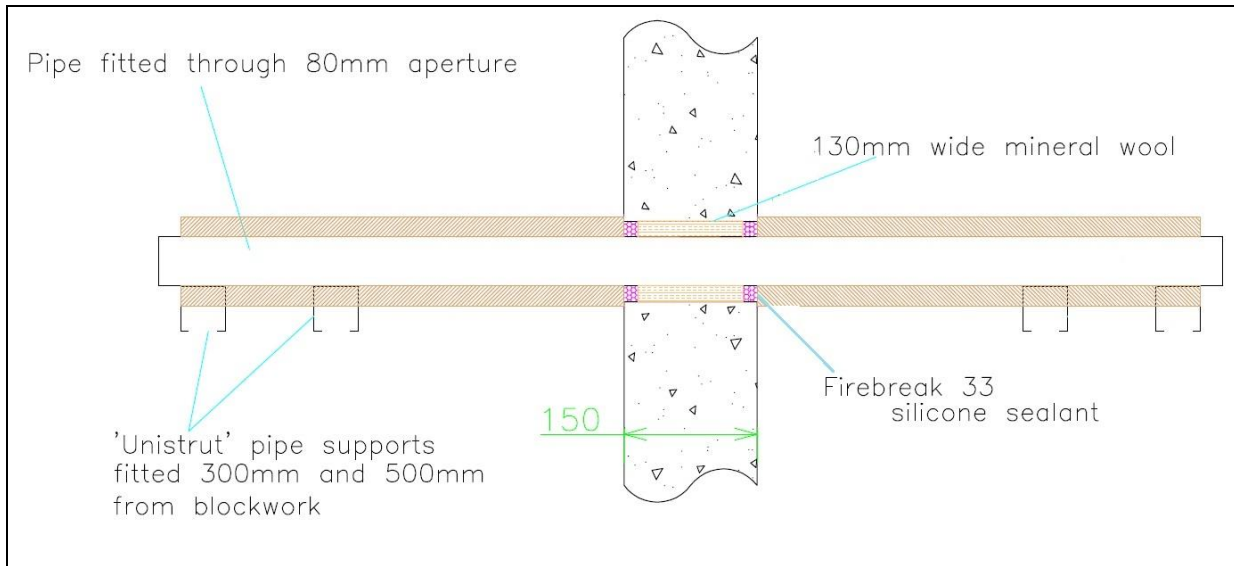
Managing Director, ETA-Danmark

¹ Official Journal of the European Communities L178/52 of 14/7/1999

ANNEX A – Resistance to Fire Classification – Firebreak 33 / Sealfire W200

A.1 Rigid wall constructions with wall thickness of minimum 150 mm

A.1.1 Penetration seal with metal pipe including continued interrupted (CI) or minimum 500 mm long local interrupted (LI) combustible insulation

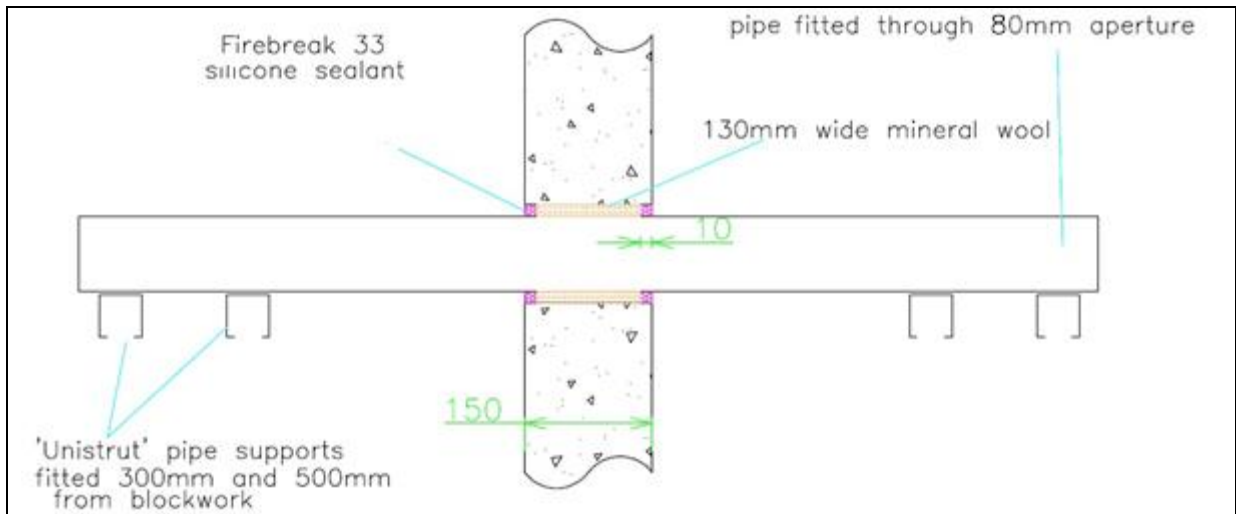


A.1.1.1

Firebreak 33 / Sealfire W200 Penetration Seals in Rigid Walls 150 mm thick (min.)				
Aperture size (mm)	Seal composition	Service(s)	Position of service(s)	Classification
80 diameter	Single 10 mm deep Firebreak 33 / Sealfire W200 flush to both faces of the wall, backed with 130 mm deep Stone wool (90 kg/m ³)	Single steel pipe 40 mm diameter and 3.2 – 14.2 mm wall, insulated with 25 mm thick 'Class B*' Nitrile Rubber insulation	Central	EI 240 C/U
		Single copper pipe 38 mm diameter and 1.2 – 14.2 mm wall, insulated with 25 mm thick 'Class B*' Nitrile Rubber insulation		EI 120 C/U

* Classified to EN 13501-1

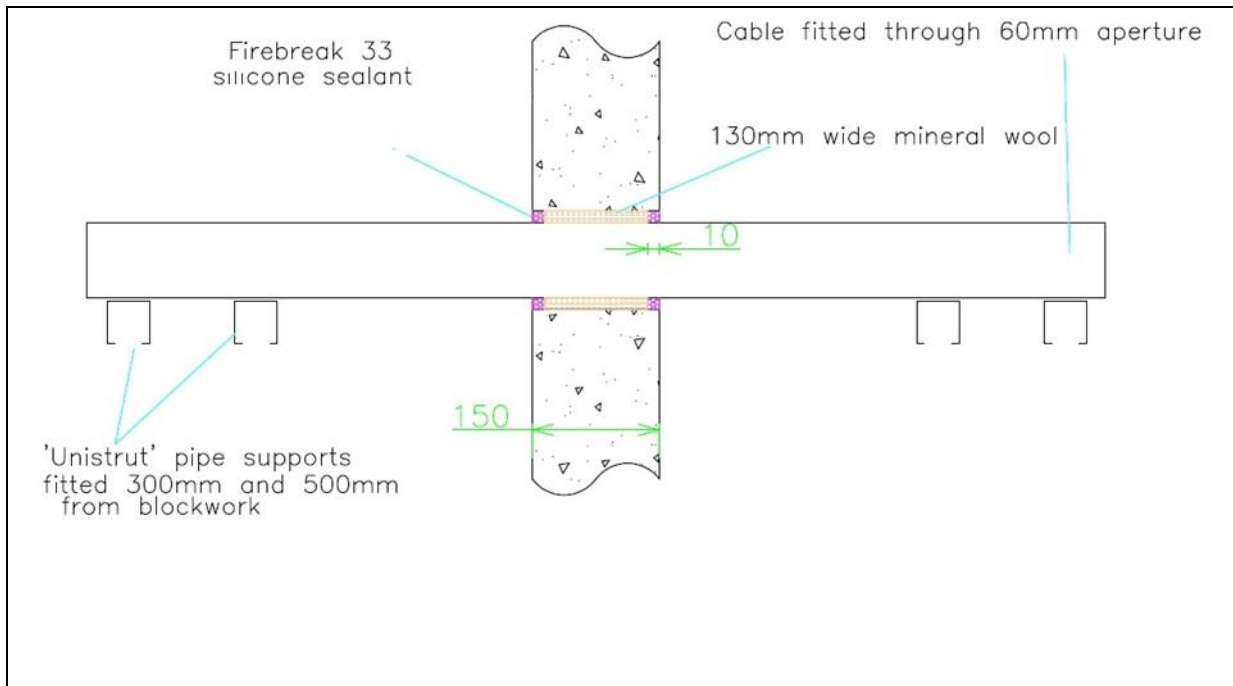
A.1.2 Penetration seal with uninsulated metal pipe



A.1.2.1

Firebreak 33 / Sealfire W200 Penetration Seals in Rigid Walls 150 mm thick (min.)				
Aperture size (mm)	Seal composition	Service(s)	Position of service(s)	Classification
80 diameter	Single 10 mm deep Firebreak 33 / Sealfire W200 flush to both faces of the wall, backed with 130 mm deep Stone wool (90 kg/m ³)	Single steel pipe 40 mm diameter and 3.2 – 14.2 mm wall	Central	E 240 C/U EI 120 C/U
		Single copper pipe 38 mm diameter and 1.2 – 14.2 mm wall		E 120 C/U

A.1.3 Penetration seal with cables



A.1.3.1

Firebreak 33 / Sealfire W200 Penetration Seals in Rigid Walls 150 mm thick (min.)				
Aperture size (mm)	Seal composition	Service(s)	Position of service(s)	Classification
60 diameter	Single 10 mm deep Firebreak 33 / Sealfire W200 flush to both faces of the wall, backed with 130 mm deep Stone wool (90 kg/m ³)	Bunch of 4 x 'A3' cables + 1 x 'C3' cable	Central	EI 240
		Single 'E' cable		

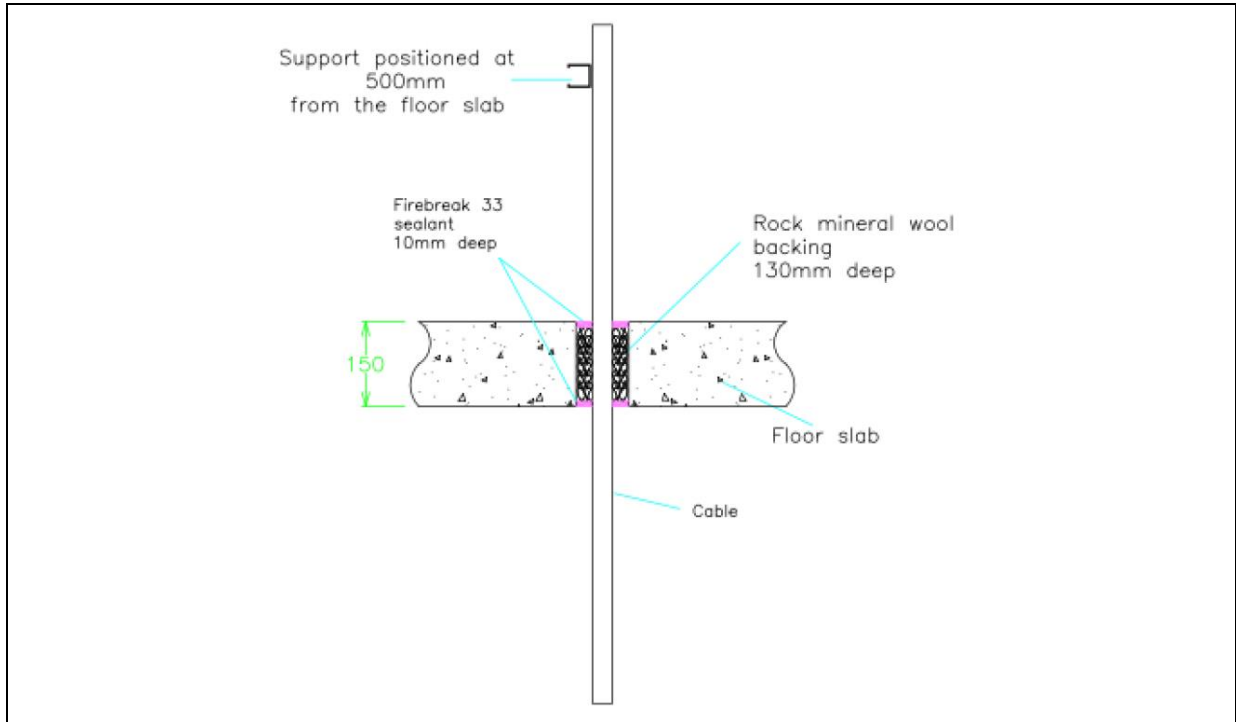
A3 cable = 5 x 1.5 mm² core HD604.5 electrical cable with XLPE insulation, EVA sheath and 13 mm diameter

C3 cable = 4 x 95 mm² core HD604.5 electrical cable with XLPE insulation, EVA sheath and 42 mm diameter

E cable = 1 x 185 mm² core HD603.3 electrical cable with PVC insulation, PVC sheath and 23-27 mm diameter

A.2 Rigid floor constructions with floor thickness of minimum 150 mm

A.2.1 Penetration seal with cables



A.2.1.1

Firebreak 33 / Sealfire W200 Penetration Seals in Rigid Floors 150 mm thick (min.)				
Aperture size (mm)	Seal composition	Service(s)	Position of service(s)	Classification
80 diameter	Single 10 mm deep Firebreak 33 / Sealfire W200 flush to both faces of the floor, backed with 130 mm deep Stone wool (90 kg/m ³)	Single 'E' cable	Central	E 240 EI 45

E cable = 1 x 185 mm² core HD603.3 electrical cable with PVC insulation, PVC sheath and 23-27 mm diameter